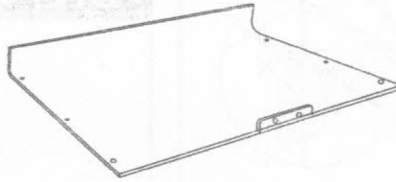
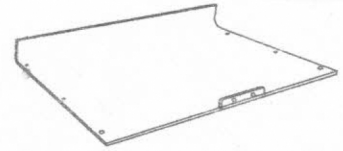


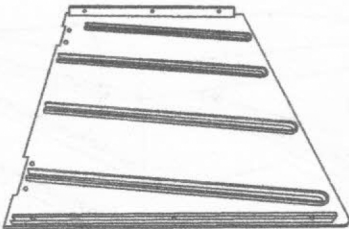
A x1



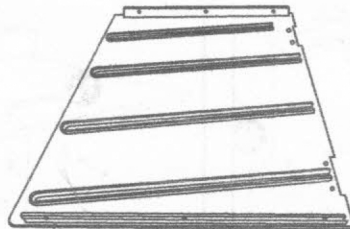
B x1



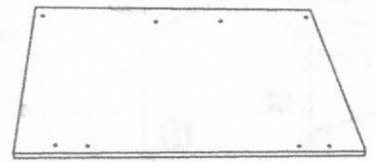
C x1



D x1



E x1



F x2



G x3



H x12



I x12



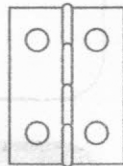
J x16



K x22



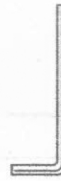
L x2



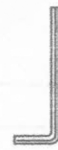
M x4



N x3



P x1



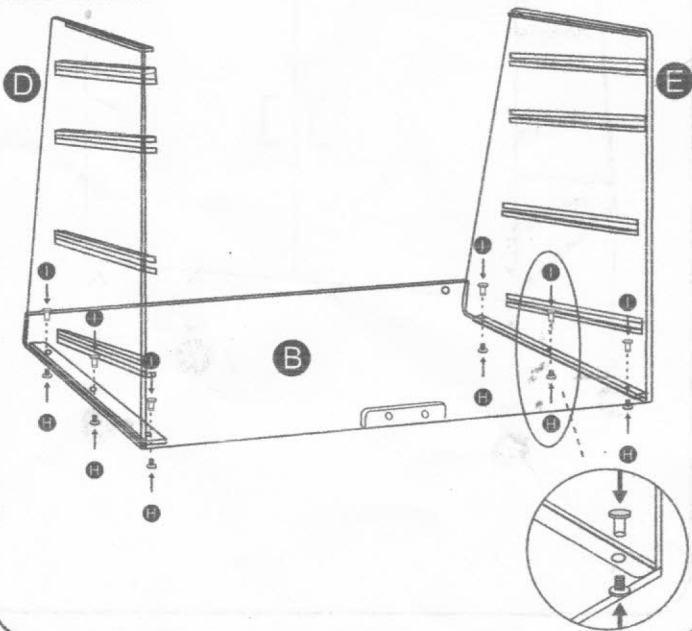
Q x1



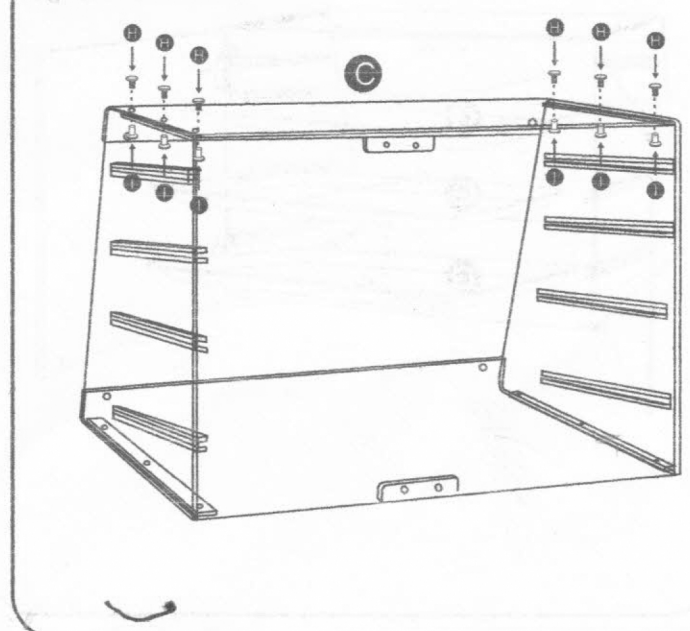
R x4

! Please identify each part and check to ensure that all are accounted for.

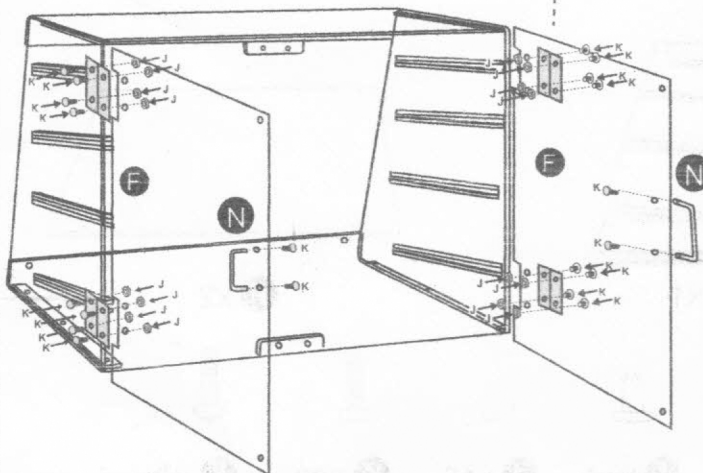
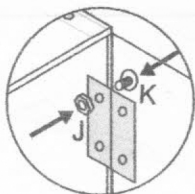
STEP 1



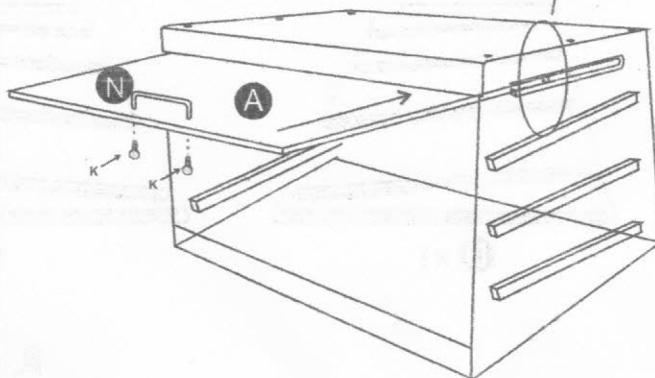
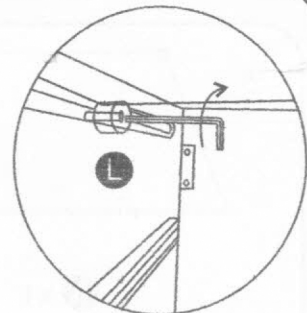
STEP 2



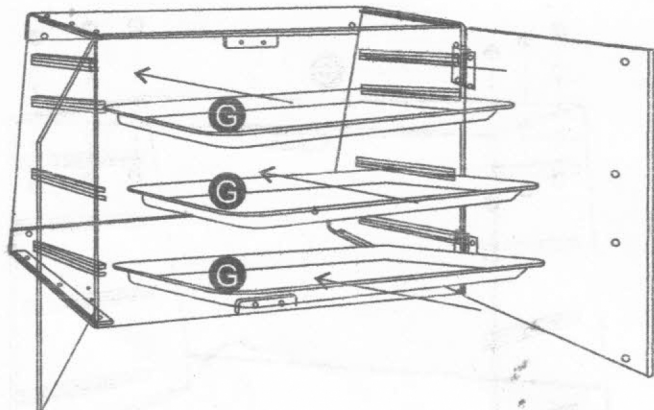
STEP 3



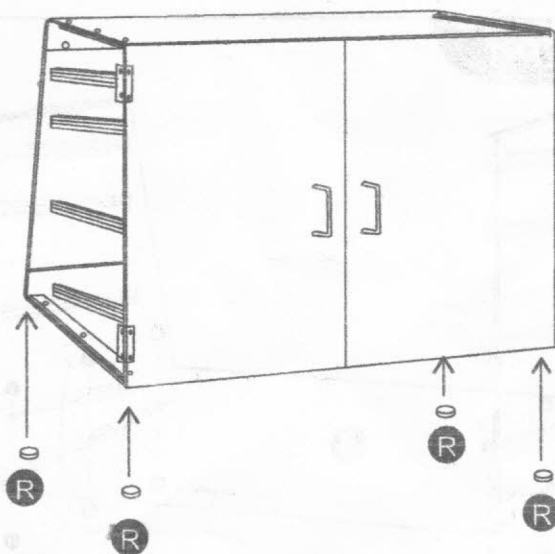
STEP 4



STEP 5



STEP 6



! For cleaning, wipe the surface with a damp (not wet) cloth or wipe dry with a clean lint free cotton cloth.